



CRANE National Vendors

SERVICE BULLETIN

12955 Enterprise Way
Bridgeton, MO 63044-1200

Technical Service (800) NAT-VEND
Parts (800) NA1-PART
Sales/Parts Fax (800) 531-2580
General Information (800) 325-8811

B4849904

Frozen Module Door Kit

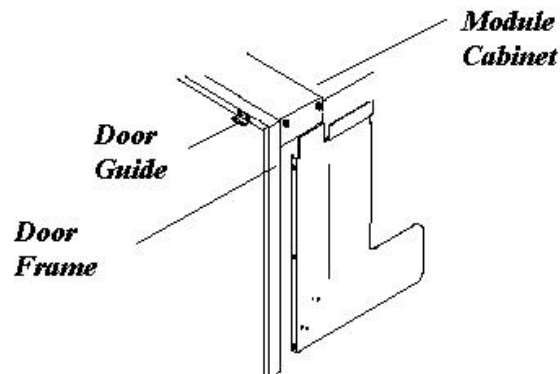
December 16, 1999

There is now an Anti Sag Door kit available from the National Vendors Parts Department for the standard refrigerated and frozen modules, part number 484-7044.

This kit can be added to earlier model Refreshment Center merchandisers in order to provide a better alignment of the module door with the module cabinet.

These changes were implemented to Refreshment Center merchandisers that were manufactured after May 31, 1999. Refreshment Center merchandisers already equipped with the kit can easily be identified by an additional door guide added to the upper right side of the door module frame.

See accompanying figure and attached kit instructions for further clarification.



Service Department



KIT PART NUMBER 4847044
INSTRUCTIONS FOR INSTALLING:
FRAME SUPPORT BRACKET, WIRING HARNESS BRACKET AND DOOR GUIDE
ON 484, 485, 486, 487, 488, 489, 490, 493, 740, 741, 784, 785,
786, 787, 788 & 789 FROZEN AND REFRIGERATED FOOD MODULES

CHECK THE PARTS RECEIVED IN THE KIT WITH THE PARTS LIST IN THESE INSTRUCTIONS. IF ANY PARTS ARE MISSING, CONTACT THE NATIONAL VENDORS PARTS DEPARTMENT IMMEDIATELY.

Read these instructions carefully before installing the kit.

Keep these instructions for part numbers and for future reference.

This kit contains the following :

PART NUMBER	DESCRIPTION	QUANTITY
1451097	SCREW - #8-32 X .31 HEX HD. TF - BLACK	2
4042121	WIRE TIE - PL.T1M-M20-SELF SLINCH	4
4319017	INSULATOR - EXPANDABLE	1
4721035	SCREW - #8-18 X .38 - LM	1
4840073	INSTRUCTIONS - INSTALLATION - KIT 4847044	1
4847021	BRACKET - FRAME SUPPORT	1
4847022	GUIDE - DOOR	1
4847023	SHIELD - SIDE - L.H.	1
4847024	SHIELD - SIDE - R.H.	1
4847028	BRACKET - WIRING HARNESS	1
4847045	TEMPLATE - DOOR GUIDE	1
4847046	TEMPLATE - FRAME SUPPORT	1



Part I. Door Guide Bracket

Installation

1. Remove all products from the frozen food module and place in another freezer.
2. Using Door Guide Template 4847045 drill two 9/64" holes in the face of the door frame (figure 1). Be careful not to drill completely through the door.
3. Attach the Door Guide 4847022, with two (2) 8-32 x .31 thread forming hex head screws 1451097 (figure).

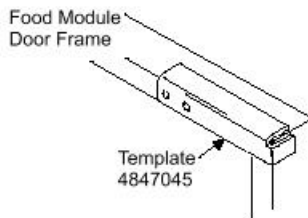


Figure 1

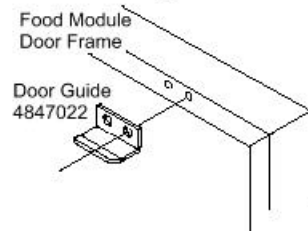


Figure 2

Part II. Side Shields, Frame Support Bracket and Wiring Harness Bracket Installation

1. Configure the machine to FREE VEND. Vend from the food module. While the food module door is open, unplug the machine.

NOTE

The food module door will normally remain open long enough to reach the power cord. It is possible that the machine may need to be repositioned to gain access to the wall receptacle.

2. Disconnect wiring to the Food Module and tag if needed.
3. Pull the Food Module completely out of the cabinet so that the side shields may be worked on without interference.
4. Clip the wire ties that secure the door wiring harness to the Food Module (figure 3).
5. Using a 1/8" bit, drill out the two rivets securing the Door Frame Support Guide 4844027. Discard this Support Guide

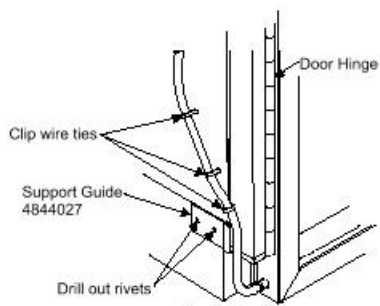


Figure 3



6. Remove the three (3) screws securing the L.H. Side Shield, 4407158, to the door frame and save the screws (figure 4). Also, remove the three (3) screws securing the R.H. Side Shield, 4407159, to the door frame and save the screws.
7. Loosen the two (2) nuts on each side of the Food Module at the top of the Module that help secure the side shields.
8. Install the new side shields, 4847023 and 4847024, in the reverse order.

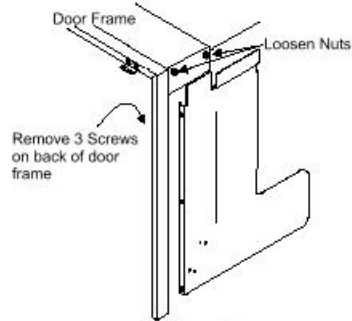


Figure 4

9. Place the Expandable Insulator, 4319017, onto the Door Wiring Harness and slide it flush to the Door Frame (figure). Use wire ties, 4042121, to secure the expandable insulator to the wiring harness.
10. Place the Frame Support Template, 4847046, flush against the bottom, left side of the door frame.
11. Using a 9/64" diameter bit, drill the three (3) holes as located in the template.

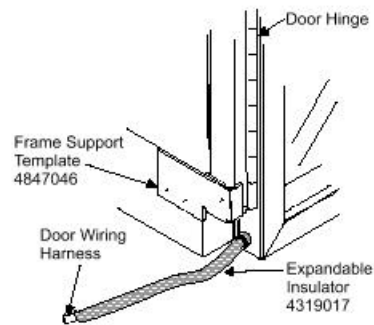


Figure 5



12. Reattach the wiring harness to the Food Module.
13. Attach the Wiring Harness Bracket, 4847028, with one (1) 8-18 x .38 hex head screw, 4721035 (figure 6).

NOTE

Ensure that the wiring harness with expandable insulator is running through the C-channel of the Wiring Harness Bracket.

14. Attach the Frame Support Bracket, 4847021, with two (2) 8-18 x .62 hex head screws, 4727144, into the two holes drilled into the food box using the template.

NOTE

Ensure that the wiring harness bracket will rub against the frame support bracket if the door droops when it is opened.

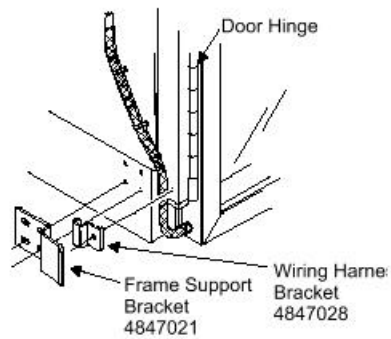


Figure 6